

**Northern-Air**  
S y s t e m s  
[www.northernairsystems.com](http://www.northernairsystems.com)



## RENTAL PROGRAM

*The Sun Never Sets On A Northern Air System*

Since 1998, Northern Air Systems has been a leading provider of specialized cooling systems worldwide.

## Northern Air Systems Overview

Since 1998, Northern Air Systems has been a leading provider of specialized cooling systems worldwide. With thousands of systems in operation today, we have the lowest downtime of any cooling system on the market. Northern Air Systems has developed an integrated cooling system for many different industries, and has been the trusted name for quality and dependability.

### DESCRIPTION

- 10 or 20 Ton Packaged Units to include:
- Carlyle semi-hermetic compressor providing 3 stages of cooling capacity
- Programmable Logic Controller (PLC)
- 480 VAC, 3-phase, 60-Hz power
- 10 or 20 Ton Configuration (Switch)
- Low ambient operation to -30°F
- High quality German-designed axial condenser fan & centrifugal evap blower
- 12-18ga sheet metal construction with 1/8" structural steel frame
- Standard white polyester powder coat finish
- Hinged access doors with tool-access latches
- Powder-coated condenser guard
- R-134A EPA-compliant refrigerant
- One (1) year parts warranty

*The Most Reliable &  
Versatile Rental Unit  
On The Market!*

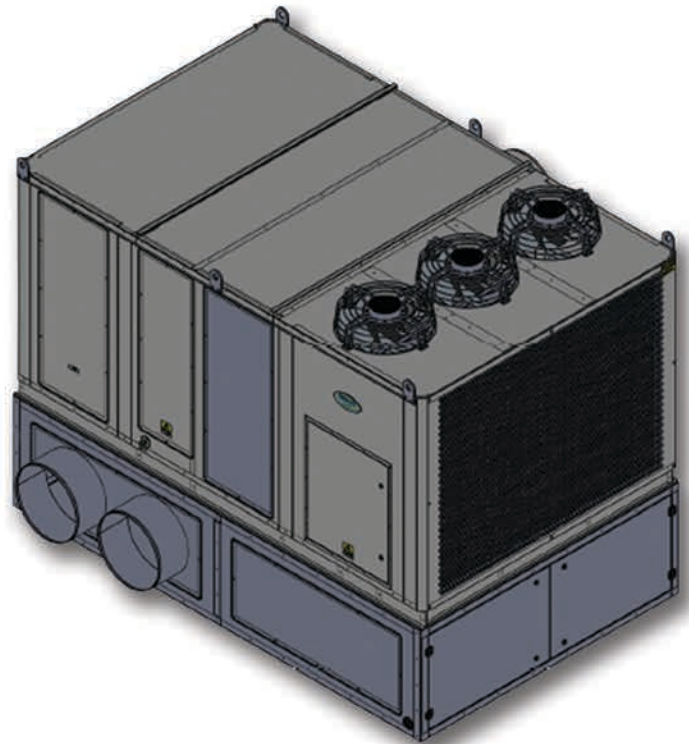
### DETAILS

Designed For Temporary Cooling:

- Onshore Drilling Rigs

Includes:

- Trailer
- All Fittings
- Flexible Duct Work & Storage
- Configurable Supply & Return Ducts
- Standard Pigtail Connections



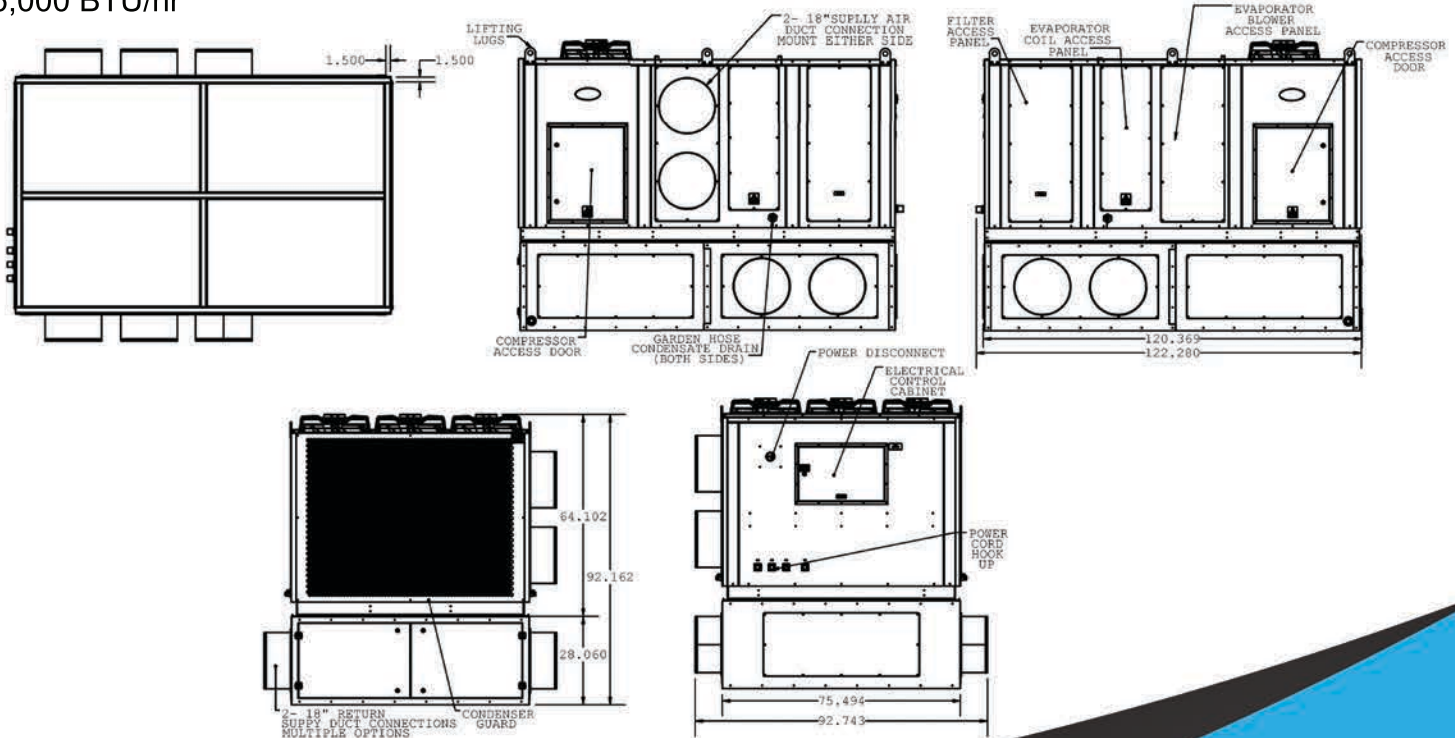


## DESIGN SPECS

- Supply Airflow - 4,250 or 8,500 CFM
- External Static Pressure - 1 in WC
- Max Total Cooling Capacity at 95F ambient:  
85°Fdb/65°Fwb Return,  
228,000 BTU/hr
- Max Total Cooling Capacity at 131F ambient:  
85°Fdb/65°Fwb Return,  
196,000 BTU/hr

## ELECTRICAL

- 480 VAC, 3PH, 60Hz
  - Cooling FLA - 70A
  - SCCR - 50kA
- MCA - 85A | MOP - 140A



# Northern-Air

S y s t e m s

## CORPORATE LOCATION

3605 Buffalo Rd  
Rochester, NY 14624  
United States of America

Phone: (585) 594-5050  
Service/Support/Parts: (888) 723-9230 – 24 hours  
General Info: [info@northernairtech.com](mailto:info@northernairtech.com)  
Employment: [employment@northernairtech.com](mailto:employment@northernairtech.com)  
Marketing/Press/Advertising: [marketing@northernairtech.com](mailto:marketing@northernairtech.com)  
Service/Support/Parts: [service@northernairtech.com](mailto:service@northernairtech.com)

## BATON ROUGE LOCATION

10421 Mammoth Ave  
Baton Rouge, LA 70814  
United States of America  
Phone: (225) 771-8154

[www.northernairsystems.com](http://www.northernairsystems.com)  
ISO 9001 Certified

Find Us On Social Media

